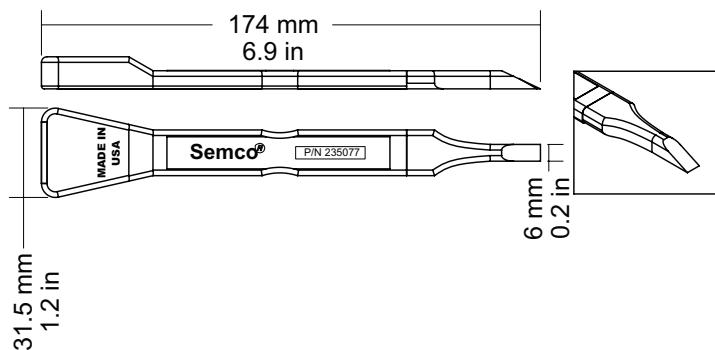


Semco® sealant removal tools (glass filled nylon)

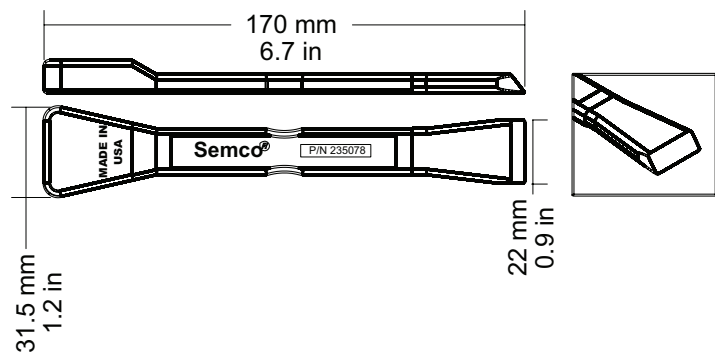
Description

Glass filled nylon sealant removal tools are designed to remove cured and semi-cured sealant from aircraft.



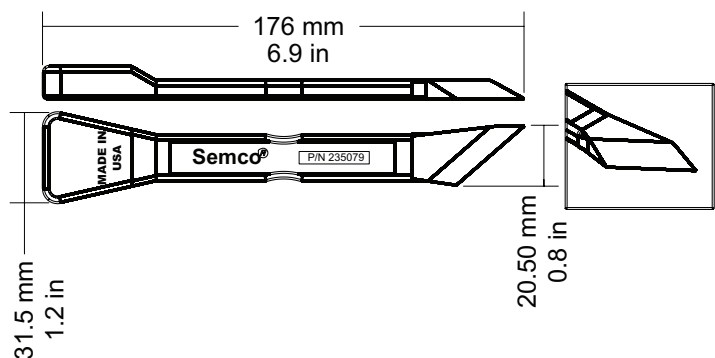
Part number: 235077

Material composition: Glass filled nylon



Part number: 235078

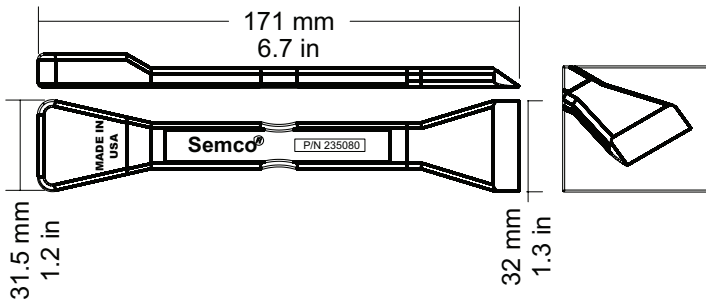
Material composition: Glass filled nylon



Part number: 235079

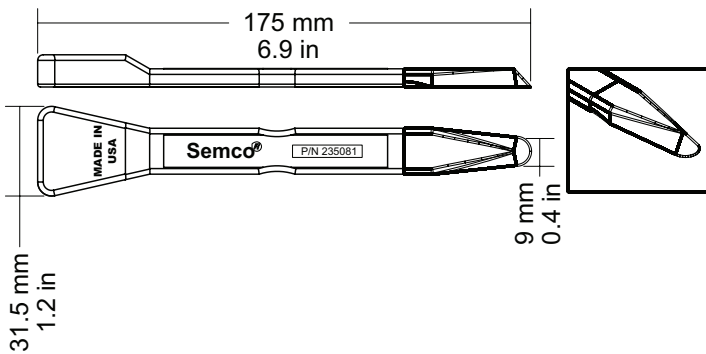
Material composition: Glass filled nylon

Semco® sealant removal tools (glass filled nylon)



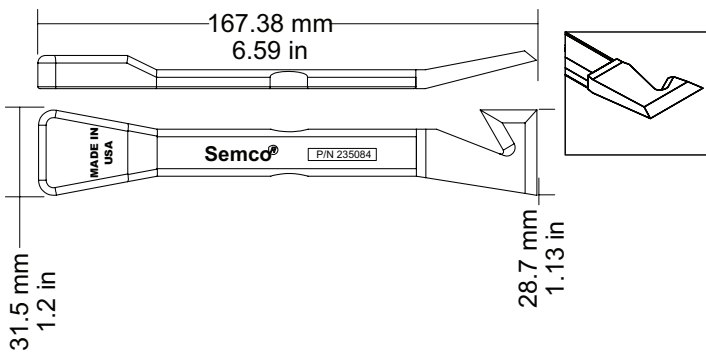
Part number: 235080

Material composition: Glass filled nylon



Part number: 235081

Material composition: Glass filled nylon



Part number: 235084

Material composition: Glass filled nylon

Semco is a trademark of PRC-DeSoto International Inc., registered with the U.S. Patent Office.

All recommendations, statements, and technical data contained herein are based on tests we believe to be reliable and correct, but accuracy and completeness of said tests are not guaranteed and are not to be construed as a warranty, either expressed or implied. User shall rely on his own information and tests to determine suitability of the product for the intended use and assumes all risks and liability resulting from his use of the product. Seller's and manufacturer's sole responsibility shall be to replace that portion of the product of this manufacturer which proves to be defective. Neither seller nor manufacturer shall be liable to the buyer or any third person for any injury, loss, or damage directly or indirectly resulting from use of, or inability to use, the product. Recommendations or statements other than those contained in a written agreement signed by an officer of the manufacturer shall not be binding upon the manufacturer or seller.

Printed in the U.S.A

PRC-DeSoto International, Inc.
12780 San Fernando Road
Sylmar, CA 91342
Telephone (818) 362-6711
Toll Free (800) AEROMIX
www.ppgaerospace.com

Issue Date: 05/17
Supersedes: 03/17
Lit: 4369