

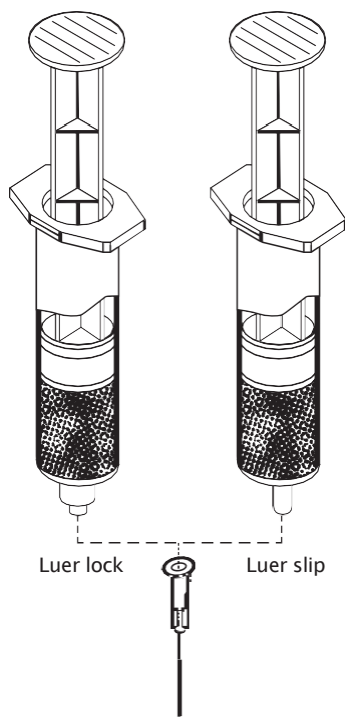
PPG Semco®

syringe dispensing components



Semco® syringe dispensing components

Semco® disposable plastic syringes are available in 1cc, 3cc, 6cc, 10cc, 20cc, 35cc and 60cc capacities for both manual and pneumatic dispensing. Plastic syringes are designed for the precise application of discrete amounts of material. These syringes are ideal for electronics and various other small assembly operations. They facilitate the application of adhesives, solder pastes and masks, sealants, potting compounds, greases and many other materials.



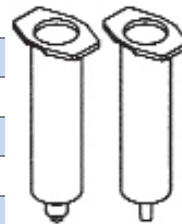
Features

- High quality, precision molded polypropylene syringe barrels and plunger rods with flexible stoppers.
- Syringe barrels are translucent for excellent visibility of material level.
- All syringe components resist most chemicals.
- Ideal for pre-mixed and frozen material application.
- Luer slip tip assures interference fit of blunt end dispensing needles.
- Luer lock tip assures secure affixing of blunt end dispensing needles.
- Can be fitted with Sem-Needles or Semflex Needles. (See back page for selection.)
- Barrels also are available in opaque colors.
- UV blocking barrels are available in translucent and opaque colors.
- Non-sterile for industrial use only.

Components

Disposable plastic syringe barrel

Size (cc)	Luer Lock part no.	Luer Slip part no.
1	N/A	310107
3	310316	310307
6	310616	310607
10	311016	311007
20	312016	312007
35	313516	313507
60	316016	316007



Plunger rod

Size (cc)	Part no.
1	310102
3	310302
6	310602
10	311002
20	312002
35	313502
60	316002



P-Stopper

Size (cc)	Part no.
1	310105
3	310305
6	310605
10	311005
20	312005
35	313505
60	316005



Adapter head with hose assembly

Size (cc)	Part no.
1	310100
3	310300
6	310600
10	311000
20	312000
35	313500
60	316000



Adapter heads with hose assemblies are used to dispense material from pneumatic syringe assemblies via Semmatic® dispensing equipment.

Assemblies

Manual assembly

Assembly size (cc)	Luer lock part no.	Luer slip part no.
1	N/A	310132
3	310346	310332
6	310646	310632
10	311046	311032
20	312046	312032
35	313546	313532
60	316046	316032

Manual assembly includes syringe barrel, plunger rod and stopper.

Pneumatic assembly

Assembly size (cc)	Luer lock part no.	Luer slip part no.
1	N/A	310167
3	310388	310367
6	310688	310667
10	311088	311067
20	312088	312067
35	313588	313567
60	316088	316067

Pneumatic assembly includes syringe barrel and stopper.

Accessories

Tip caps

Part no.	Material	Use
232683	rubber	for tight seal
232991	plastic	locks on for air-tight seal



Syringe barrel flange plug

Size (cc)	Part no.
1	310103
3	310303
6	310603
10	311003
20	312003
35	313503
60	316003



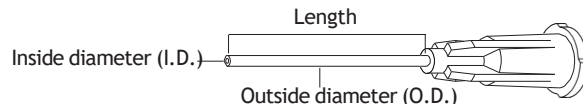
Sem-needles & Semflex-needles fit all sizes of luer lock & luer slip syringes

Semflex-needles

Disposable, flexible, blunt end Teflon® dispensing needles fit onto all luer lock and luer slip syringes and the Sem-luer adapter. All have molded international color coded hubs for easy identification of specific gauge size. (Electrical Specification Tubing, American Wire Gauge sizes conforming to AMS-3654.) These flexible needles will not scratch or mark a surface upon contact. All needles are non-sterile and are for industrial use only.

Sem-needles

Disposable, rigid, stainless steel, blunt end dispensing needles fit onto all luer lock and luer slip syringes and the Sem-luer adapter. All needles have molded international color coded hubs for easy identification of the specific gauge size. These needles are precision made with burr free ends for micro applications. All needles are non-sterile and are for industrial use only.



Application capacities table

Gauge	Sem-needles			Semflex-needles			Length	Hub color
	P/N	O.D.	I.D.	P/N	O.D.	I.D.		
14	231843	.083"	.066"		N/A		1/2"	Dark green
14	231844	.083"	.066"	232728	.082"	.066"	1"	Dark green
15	231845	.072"	.060"		N/A		1/2"	Orange
15	231846	.072"	.060"	232730	.071"	.059"	1"	Orange
18	231849	.049"	.038"		N/A		1/2"	Pink
18	231850	.049"	.038"		N/A		1"	Pink
18		N/A		232734	.054"	.042"	2"	Pink
19	231851	.042"	.032"		N/A		1/2"	Brown
19	231852	.042"	.032"		N/A		1"	Brown
20	231853	.035"	.026"		N/A		1/2"	Yellow
20	231854	.035"	.026"	232736	.046"	.034"	1"	Yellow
21	231855	.032"	.023"		N/A		1/2"	Green
21	231856	.032"	.023"		N/A		1"	Green
22	231857	.028"	.020"		N/A		1/2"	Black
22	231858	.028"	.020"		N/A		1"	Black
23	231859	.025"	.017"		N/A		1/2"	Light blue
23	231860	.025"	.017"	232742	.038"	.026"	1"	Light blue
25	231863	.020"	.012"		N/A		1/2"	Blue
25	231864	.020"	.012"		N/A		1"	Blue
26		N/A		232745	.030"	.018"	1/2"	Peach
26	231866	.018"	.010"		N/A		1"	Peach
26		N/A		232893	.030"	.018"	1/8"	Peach
27	231867	.016"	.009"		N/A		5/16"	Tan
28		N/A		232748	.027"	.015"	1"	Tan
30	231869	.012"	.006"		N/A		5/16"	Lavender
30		N/A		232749	.024"	.012"	1/2"	Lavender

Other sizes and lengths are available through special order.

For the Application Support Center nearest you, please visit our website at www.ppgaerospace.com

All recommendations, statements, and technical data contained herein are based on test we believe to be reliable and correct, but accuracy and completeness of said tests are not guaranteed and are not to be construed as a warranty, either expressed or implied. User shall rely on his own information and tests to determine suitability of the product for the intended use and assumes all risks and liability resulting from his use of the product. Seller's and manufacturer's sole responsibility shall be to replace that portion of the product of this manufacturer which proves to be defective. Neither seller nor manufacturer shall be liable to the buyer or any third person for injury, loss, or damage directly or indirectly resulting from use of, or inability to use, the product. Recommendations or statements other than those contained in a written agreement signed by an officer of the manufacturer shall not be binding upon the manufacturer or seller.

Semco, Semkit, Semmatic and Sempen are trademarks of PRC-DeSoto International, Inc. Teflon is a registered trademark of DuPont. Proflow and DIREKT Imaging are registered trademarks of DEK Printing Machines Ltd.

This product has been reviewed by PPG aerospace and been determined to contain only EAR99 data.